

THE SAILOR® SP3500 VHF PORTABLES

COBHAM

Tough Job. Tough Conditions. Tough Equipment.

2013 Product Sheet

The most important thing we build is trust

Fishermen and workboat crew face some of the toughest conditions in the world, making reliable communication vital to ensure the safety of everyone on board. The SAILOR SP3500 portable series is designed to make these jobs safer, by ensuring clear communication is possible from anywhere on board and in any conditions.

Out on deck, in high seas and driving rain, SAILOR SP3500 portables come into their own. Already designed to fit comfortably in your palm, they are also equipped with a ribbed grip that means, even with gloves on in wet conditions there is no chance you will drop it.

With large tactile buttons and control knobs combined with a user-friendly interface, operation of the SAILOR SP3500 portables could not be simpler, and when you are hauling in a valuable catch, complicated operation of your radio is the last thing you need. Every SAILOR SP3500 also comes with a large, easy to read display with a red backlight to protect your night vision.

Made for the purpose

The SAILOR SP3500 portable series features seven models covering all maritime applications, with three models specifically designed for fishing and workboat use:

- SAILOR SP3510 Portable VHF
- SAILOR SP3515 Portable VHF with scrambler and CTCSS
- SAILOR SP3520 Portable VHF GMDSS

All radios feature powerful transceivers and high quality audio ensuring that all parties can be heard loud and clear even when working in windy and noisy conditions. The SAILOR name gives you confidence that your portable VHF was built for the job at sea, with such features as:

- Dual Watch, Tri Watch and Scanning
- Robust design
- Waterproof (IP67)
- Large display
- Clear sound
- Large tactile buttons
- Ribbed grip
- Interface to external accessories – e.g. SAILOR 3595 Hand Microphone

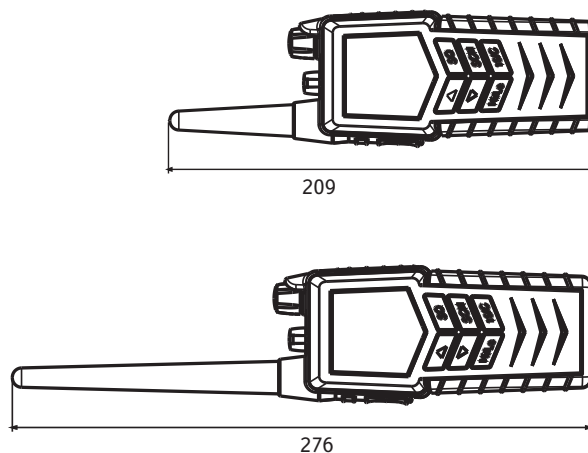
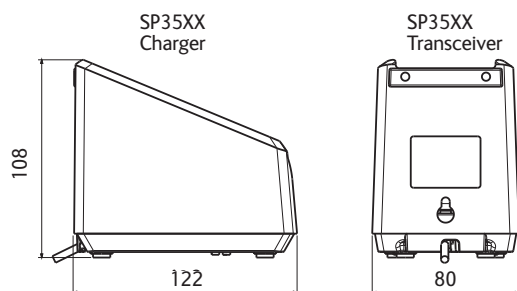
For users who require a private conversation over the radios, the SAILOR SP3515 Portable VHF also offers scrambling features. International, US, Canadian and Inland (BI) Waterways channel tables for the VHF's are selectable by the user. Naturally, as a standard, the SAILOR SP3520 Portable VHF GMDSS is supplied with the international channels that are required for a portable GMDSS VHF.

Years of experience with maritime design have resulted in the innovative, user-friendly design of the SAILOR SP3500 VHF portables, which is backed up by incredible value and a high quality worldwide service network – On Board Service Center.



THE SAILOR® SP3500 VHF PORTABLES

Tough Job. Tough Conditions. Tough Equipment.



The complete package

The SAILOR SP3510/SP3515/SP3520 VHF packages consist of:

- Transceiver and antenna
- Belt clip and lanyard
- Li-Ion rechargeable battery and charger*
- AC/DC converter/adaptor
- DC connection
- Operators manual

Wide range of accessories

In addition to the standard package a range of accessories are available, making the SAILOR SP3500 portable series even more vital for all marine applications:

- SAILOR 3590 Hand Microphone with Interface for OTTO Engineering accessories
- SAILOR 3595 Hand Microphone ATEX with interface for SAVOX and PELTOR accessories
- Interface cables for PELTOR and SAVOX accessories
- Service/programming cable
- Dual charger
- Leather carry and soft carry bags with shoulder strap

*The SAILOR SP3520 also includes a Lithium battery for GMDSS application.

	SAILOR SP3510 VHF	SAILOR SP3515 VHF Full function	SAILOR SP3520 VHF GMDSS
Approvals	R&TTE FCC IC	R&TTE FCC IC	MED (Wheelmark) FCC IC

CHANNELS AND FREQUENCIES

	SAILOR SP3510	SAILOR SP3515	SAILOR SP3520
Frequency range	149.3 - 174 MHz	149.3 - 174 MHz	149.3 - 174 MHz
Channel Separation	25 kHz	25 and 12.5 kHz	25 kHz
Pre-programmed channels	Int., US, Canadian and BI	Int., US, Canadian and BI	GMDSS
Additional programmable channels	100	100	100
ATIS call sign programmable	X	X	X

FEATURES

	SAILOR SP3510	SAILOR SP3515	SAILOR SP3520
Squelch control	X	X	X
Transmitter power (Hi/L0) (radiated)	5/1W	5/1W	2/1W
Dual watch, Tri-watch, scanning	X	X	X
Call Channel Program and Selection	X	X	X
Red back light with dimming	X	X	X
Keypad lock	X	X	X
Keypad beep On/Off	X	X	X
Backlit keypad	X	X	X
Light on key press or manual only	X	X	X
Display contrast	X	X	X
CTCSS		X	
Scrambler		X	
Battery save function	X	X	X
Battery level indicator	X	X	X

BATTERY

	SAILOR SP3510	SAILOR SP3515	SAILOR SP3520
1800 mAh Rechargeable Li-Ion battery	X	X	X
GMDSS battery			X

For further information please contact:

Cobham SATCOM Marine
Lundtoftegaardsvej 93 D
DK-2800 Kgs. Lyngby
Denmark
www.cobham.com
Tel: +45 3955 8800
Fax: +45 3955 8888