

SAILOR® 6248 VHF

Your Trusted Communication Partner

2013 Product Sheet

The most important thing we build is trust

COBHAM

SAILOR 6248 VHF continues the SAILOR tradition of setting new standards for VHF design. A vital and reliable tool for daily operation, it has been developed for the harsh maritime environment as a part of the SAILOR 6000 series. It is based on the same foundation of high reliability, ease-of-use and leading-edge functionality that has positioned SAILOR as the frontrunner in maritime VHF radios.

The SAILOR 6248 VHF is the perfect communication partner in your daily work. Built to the exacting standards that have made SAILOR VHF's famous, it features:

- High performance Rx/Tx
- Powerful 6W loudspeaker
- Professional, high-quality SAILOR Handsets
- Intuitive and easy operation
- High quality display – perfect night and day vision
- Unique SAILOR Replay function – play back the last 240 sec.
- Large tactile buttons and dials for easy operation
- ThraneLINK for easy integration and maintenance

The SAILOR 6248 VHF is rated waterproof to both IPx6 and IPx8, making it possible to install on open workboats or outside deck areas.

More than a VHF

The SAILOR 6248 VHF is designed for all maritime work environments. In addition to the standard international maritime VHF channels, it also includes special channel tables for USA, Canada and BI (For inland Waterways) incl. ATIS and ATIS 'killer', and as standard up to 100 private channels (P/F/L). In addition to the standard SAILOR design and build quality, this makes it one of the most advanced, robust and powerful professional VHF radios available today. It is suited for a wide variety of maritime operational communications aboard fishing vessels, workboats and merchant and offshore ships.

Flexible Solution

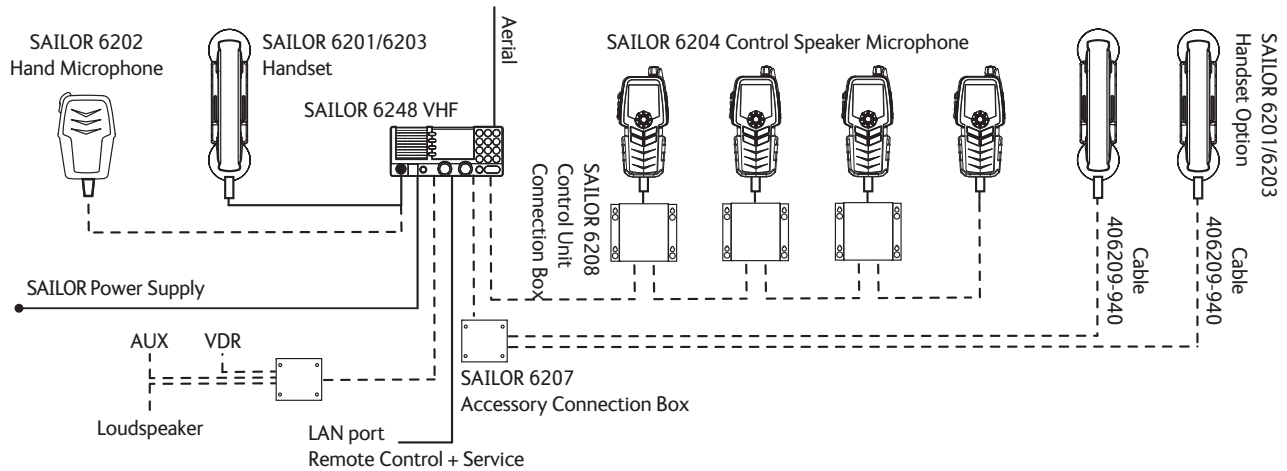
A broad portfolio of high quality accessories is available for the SAILOR 6248 VHF, which improves its installation flexibility and operational scope. Handsets, Hand Microphones and the SAILOR 6204 Control Speaker Microphone for remote operation as well as external loudspeakers enable multiple users in different locations to utilize this high performance VHF.



SAILOR® 6248 VHF

Your Trusted Communication Partner

COBHAM

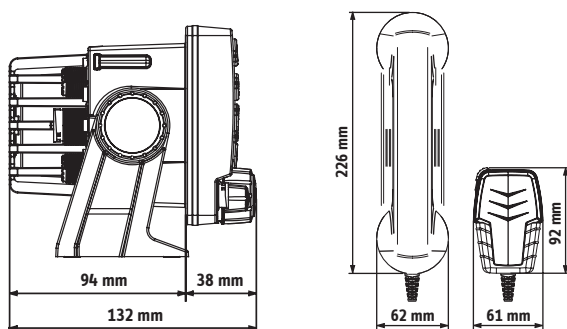
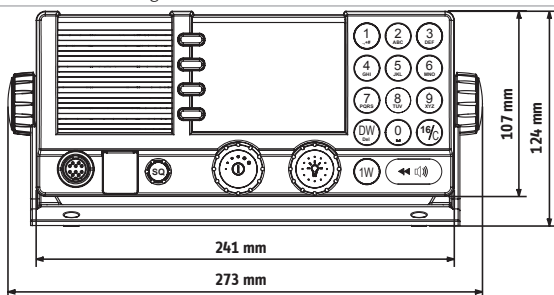


TECHNICAL SPECIFICATIONS

Power supply	12VDC Nominal (10.8– 15.6VDC). Reverse polarity protected SAILOR 6090 Power Converter (24-12V) incl.
Operational temperature range	-25 C to +55 C
Storage temperature range	-40 C to +80 C
Stand-by current consumption	< 500mA
Frequency range	TX 156,000-157,425 RX 156,000-163,425 MHz Option: Extended frequency range in private channels
Channel spacing	12.5kHz and 25kHz incl. all international maritime channels
Receiver sensitivity	< -119dBm Typically @ 20dB SINAD CCITT Weighted

INSTALLATION

Bracket and flush mounting installation	X (included)
Water ingress	IPx8 and IPx6 all over
Note: In a flush mount installation a sealing gasket is provided. The SAILOR 6203 Handset or SAILOR 6202 Hand Microphone is required in waterproof installations.	
Weight SAILOR 6248 transceiver	< 1.50 kg (3.3 lbs) approx.
Weight SAILOR 6248 transceiver incl. Handset and mounting	< 2.50 kg (4.4 lbs) approx.



FEATURES

SAILOR Replay	X
Display dimming	X
Red backlight	X
Large tactile buttons and wheelknobs	X
Powerful loudspeaker	6W
Dual- / Tri-watch and scanning	X
Transmit power	Hi / Lo: 25W and <1W

CHANNELS

International channels	X
US channels (incl. WX)	X
Canadian channels	X
BI channels, incl ATIS and ATIS Killer	X
Private channels (P/F/L)	100

INTERFACES

SAILOR 6204 control speaker microphones	4
SAILOR 6201/6202/6203 Handset/Hand Microphones	3
VDR	X
External loudspeaker	6W/8 Ohm

ThraneLINK

ThraneLINK is a sophisticated communication protocol that connects the SAILOR products in a network, offering important new opportunities to vessels. It provides facility for remote diagnostics and enables access to all the SAILOR products from a single point for service. This results in optimized maintenance and lower cost of ownership because less time is needed for troubleshooting and service. Installation is made easier as ThraneLINK automatically identifies new products in the system. The uniform protocol is an open standard which provides a future proof solution for all vessels.

For further information please contact:

Cobham SATCOM Marine
Lundtoftegaardsvej 93 D
DK-2800 Kgs. Lyngby
Denmark
www.cobham.com
Tel: +45 3955 8800
Fax: +45 3955 8888